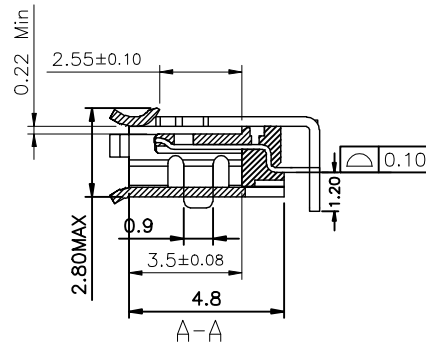
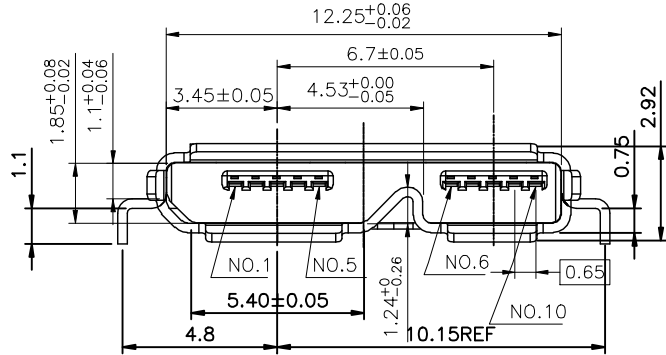
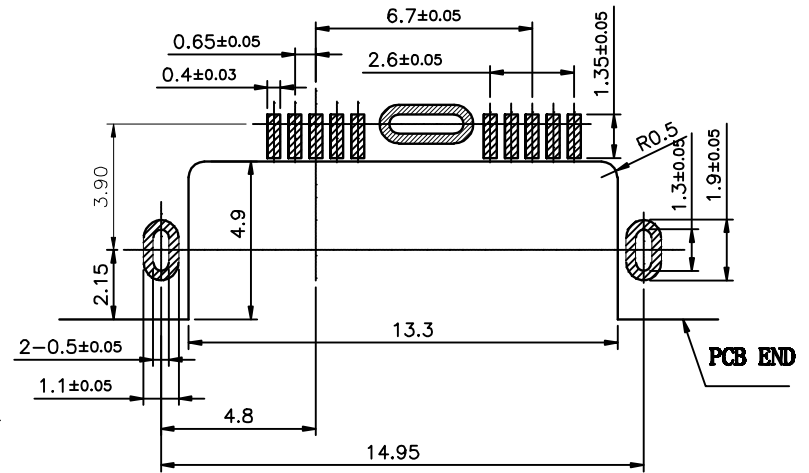


MUB3B-08XXX361

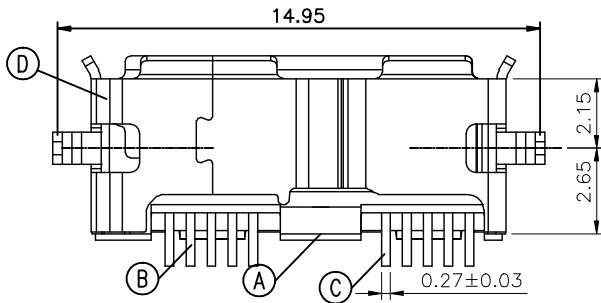
Color:
 B: Black R: Red
 H: Blue G: Green
 Y: Yellow V: White
 Contact Finish:
 00: Material 10: 10uGold
 01: G/F 15: 15uGold
 05: 5uGold 20: 30uGold



TOLERANCES: ±0.05

- SPECIFICATIONS:**
- ELECTRICAL CHARACTERISTICS:**
 - CONTACT RESISTANCE: 30mΩ MAX.
 - DIELECTRIC WITHSTANDING VOLTAGE: 500V AC FOR 1 MINUTE
 - INSULATION RESISTANCE: 100MΩ MIN
 - MECHANICAL CHARACTERISTICS:**
 - INSERTION FORCE: 3.5 Kgf MAX
 - WITHDRAWAL FORCE: 1.0 Kgf MIN
 - DURABILITY: 10,000 CYCLES.
 - OTHER SPEC TO REFER USB 3.0 SPEC.
 - TO CONFORM TO SINGATRON HAZARDOUS SUBSTANCE FREE SPEC.
 - HALOGEN FREE PRODUCT IDENTIFICATION MARK :
 - HALOGEN FREE PRODUCT IDENTIFICATION LABEL ON PACKAGING:
 - FOR REFLOW SOLDERING LEAD-FREE PROCESS.
 - PACKAGING : TAPE & REEL.

Pin Assignments			
Shell	Shield		
10	MicB_SSRX+		
9	MicB_SSRX-		
8	GND_DRAIN		
7	MicB_SSTX+		
6	MicB_SSTX-		
5	GND		
4	ID		
C	CONTACT	3	D+
B	SHELL	2	D-
A	HOUSING	1	VBUS
ITEM	DESCRIPTION	PIN NO.	SIGNAL NAME



TOLERANCE:		UNIT	深圳市同心富精密电子有限公司 Shenzhen TXF Precision Electronics Co., LTD			
X. ± 0.50	X.* ± 1°	MM	DRAW:	陈彩敏	2013. 12. 13	P/N: MUB3B-08XXX361
.X ± 0.30	.X.* ± 1°	SHEET	DESIGN:			ITEM: Micro USB 3.0 B/F
.XX ± 0.20	.XX.* ± 1.0°	1/1	CHECK:			SMT (沉板0.75 SHELL)无凸包
.XXX ± 0.10		SCALE	APPR:			DRW NO: C-MUB3B-08XXX361
		1:1	REV:D			

LTR	ECN NO	REVISION	RECORD	DRAW	DATE
1			2		